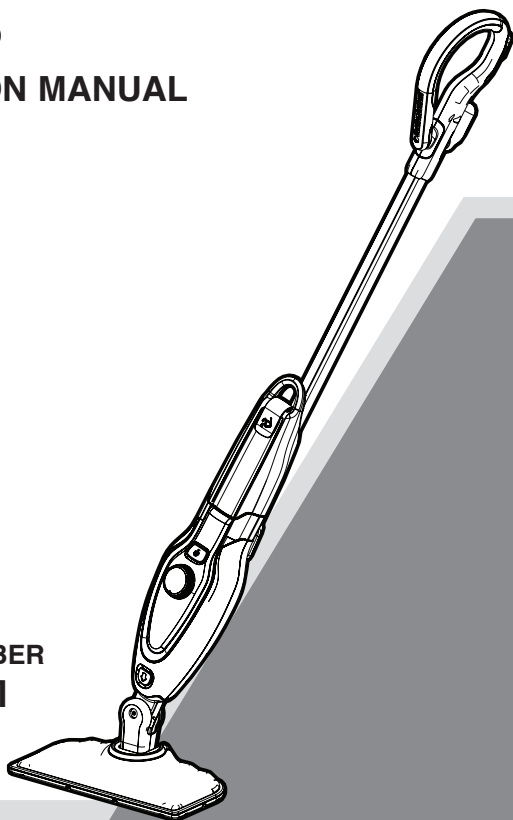




STEAM MOP

INSTRUCTION MANUAL



CATALOG NUMBER
BDH1720SM

Thank you for choosing Black & Decker! To register your new product, go to www.BlackandDecker.com/NewOwner

PLEASE READ BEFORE RETURNING THIS PRODUCT FOR ANY REASON.

If you have a question or experience a problem with your Black & Decker purchase, go to <http://www.blackanddecker.com/instantanswers>

If you can't find the answer or do not have access to the Internet, call 1-800-544-6986 from 8 a.m. to 5 p.m. EST Mon. - Fri. to speak with an agent. Please have the catalog number available when you call.

SAVE THIS MANUAL FOR FUTURE REFERENCE.

VEA EL ESPANOL EN LA CONTRAPORTADA.

INSTRUCTIVO DE OPERACIÓN, CENTROS DE SERVICIO Y PÓLIZA DE GARANTÍA.

ADVERTENCIA: LÉASE ESTE INSTRUCTIVO ANTES DE USAR EL PRODUCTO.

SAFETY GUIDELINES - DEFINITIONS

It is important for you to read and understand this manual. The information it contains relates to protecting **YOUR SAFETY and PREVENTING PROBLEMS**. The symbols below are used to help you recognize this information.

⚠ DANGER: Indicates an imminently hazardous situation which, if not avoided, will result in death or serious injury.

⚠ WARNING: Indicates a potentially hazardous situation which, if not avoided, could result in death or serious injury.

⚠ CAUTION: Indicates a potentially hazardous situation which, if not avoided, may result in minor or moderate injury.

NOTICE: Used without the safety alert symbol indicates potentially hazardous situation which, if not avoided, may result in property damage.

INTENDED USE

Your Black & Decker steam mop has been designed for sanitizing and cleaning the following SEALED floors: hardwood, laminate, linoleum, vinyl, ceramic tile, stone, and marble. For floor use only; do not use the unit upside down. This appliance is intended for indoor household use only.

SAFETY INSTRUCTIONS

⚠ WARNING: Read all safety warnings and all instructions. Failure to follow the warnings and instructions listed below may result in electric shock, fire and/or serious injury.

⚠ WARNING: When using electrical appliances, basic safety precautions, including the following, should always be followed to reduce the risk of fire, electric shock, personal injury and material damage.

SAFETY WARNINGS AND INSTRUCTIONS: POLARIZED PLUGS

To reduce the risk of electric shock, this equipment has a polarized plug (one blade is wider than the other). This equipment must be used with a suitable polarized 2 wire or 3 wire extension cord. Polarized connections will fit together only one way. Make sure that the receptacle end of the extension cord has large and small blade slot widths. If the plug does not fit fully into the extension cord, reverse the plug. If it still does not fit, obtain a suitable extension cord. If the extension cord does not fit fully into the outlet, contact a qualified electrician to install the proper outlet. Do not change the tool plug or extension cord in any way.

Volts	Minimum Gauge for Cord Sets				
	Total Length of Cord in Feet				
120V	0-25	26-50	51-100	101-150	
	(0-7,6m)	(7,6-15,2m)	(15,2-30,4m)	(30,4-45,7m)	
240V	0-50	51-100	101-200	201-300	
	(0-15,2m)	(15,2-30,4m)	(30,4-60,9m)	(60,9-91,4m)	
Ampere Rating		American Wire Gauge			
More Than	Not more Than				
0	- 6	18	16	16	14
6	- 10	18	16	14	12
10	- 12	16	16	14	12
12	- 16	14	12	Not Recommended	

- Read all of this manual carefully before using the appliance.
- The intended use is described in this manual. The use of any accessory or attachment or the performance of any operation with this appliance other than those recommended in this instruction manual may present a risk of personal injury.
- Retain this manual for future reference.

USING YOUR APPLIANCE

- Do not direct steam at people, animals, electrical appliances or electrical outlets.
- Do not expose to rain.
- Do not immerse the appliance in water.
- Do not leave the appliance unattended. Keep children away from unit while in use.

- Do not leave the appliance connected to an electrical outlet when not in use.
- Never pull the power cord to disconnect the appliance from the socket. Keep the appliance cord away from heat, oil and sharp edges.
- Do not handle steam cleaner with wet hands.
- Do not pull or carry by cord, use cord as a handle, close door on cord, pull cord around sharp corners or expose cord to heated surfaces.
- Do not use appliance in an enclosed space filled with vapor given off by oil-based paint thinner, some moth-proofing substances, flammable dust, or other explosive or toxic vapors.
- Do not use on leather, wax polished furniture or floors, synthetic fabrics, velvet or other delicate, steam-sensitive materials.
- Do not use on any unsealed hard floor surfaces. Additionally, on surfaces that have been treated with wax or some no-wax floors, the sheen may be removed by the heat and steam action. It is always recommended to test an isolated area of the surface to be cleaned before proceeding. We also recommend that you check the use and care instructions from the floor manufacturer.
- Never put de-scaling, aromatic, alcoholic or detergent products into the steam mop, as this may damage it or make it unsafe for use.
- If the circuit breaker activates while using the steam function, discontinue product use immediately and contact the customer support center. (Beware of the risk of electrical shock.)
- The appliance emits very hot steam to sanitize the area of use. This means that the steam head and cleaning pads get very hot during use.

⚠ CAUTION: Always wear suitable shoes when using your steam mop and when changing the accessories on your steam mop. Do not wear slippers or open-toed footwear.

- Steam may escape from the appliance during use.
- Care should be taken when using this appliance. DO NOT touch any parts which may become hot during use.

AFTER USE

- Unplug the appliance and allow to cool down on resting mat before cleaning.
- When not in use, the appliance should be stored in a dry place.
- Children should not have access to stored appliances.

INSPECTION AND REPAIRS

- Unplug the appliance and allow to cool down on resting mat before performing any maintenance or repairs.
- Before use, check the appliance for damaged or defective parts. Check for breakage of parts, damage to switches and any other conditions that may affect its operation.
- Regularly check the power cord for damage.
- Do not use the appliance if any part is damaged or defective.
- Have any damaged or defective parts repaired or replaced by an authorized repair agent.
- Never attempt to remove or replace any parts other than those specified in this manual.

SAFETY OF OTHERS

- This appliance is not intended for use by persons (including children) with reduced physical, sensory or mental capabilities, or lack of experience and knowledge, unless they have been given supervision or instruction concerning the use of the appliance by a person responsible for their safety.
- Children should be supervised to ensure that they do not play with the appliance.

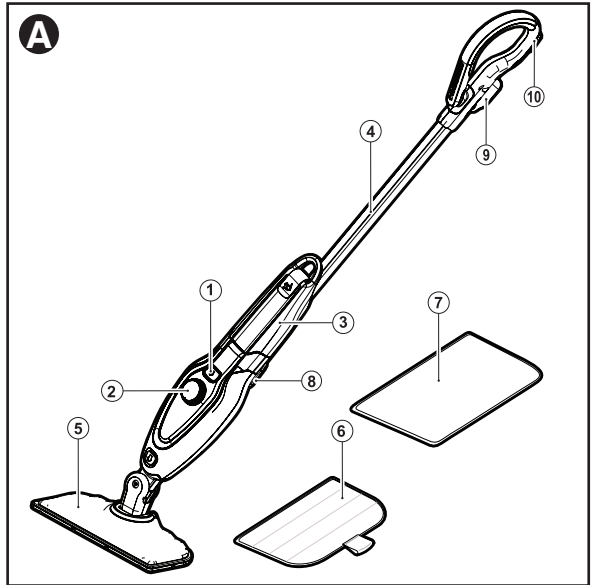
RESIDUAL RISKS

Additional residual risks may arise when using the tool which may not be included in the enclosed safety warnings. These risks can arise from misuse, prolonged use, etc. Even with the application of the relevant safety regulations and the implementation of safety devices, certain residual risks can not be avoided. These include:

- Injuries caused by touching any moving parts.
- Injuries caused by touching any hot parts.
- Injuries caused when changing any parts or accessories.
- Injuries caused by prolonged use of the appliance. When using any appliance for prolonged periods ensure you take regular breaks.

FUNCTIONAL DESCRIPTION

1. ON/Off Switch
2. SmartSelect™ Dial
3. Removable Water Tank
4. Handle
5. Steam Head
6. Micro-Fiber Cleaning Pad
7. Resting mat
8. Bottom Cord Hook
9. Top Cord Hook
10. Hanging Bracket



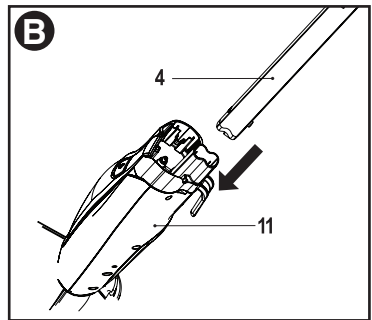
ASSEMBLY

NOTICE: Each steam mop is 100% tested in the factory to ensure product performance and safety. When assembling your new steam mop for the first time you may notice water residue inside of the unit.

⚠ WARNING: Before attempting any of the following operations, make sure that the appliance is switched off and unplugged and that the appliance is cold and contains minimal or no water.

ATTACHING THE HANDLE - Fig. B & I

- With the cord hooks (8 & 9) toward the back of the appliance, slide the bottom end of the handle tube (4) into the top end of the steam mop body (11) until it is firmly seated and clicks into place.

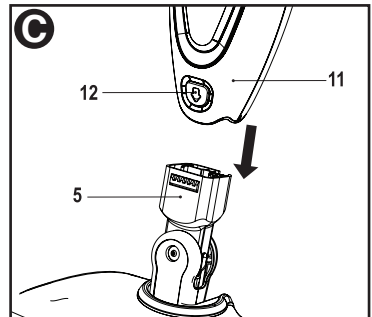


ATTACHING THE STEAM HEAD - Fig. C

- Slide the bottom end of the steam mop body (11) onto the steam head (5) until it clicks into place.
- The steam head can be removed from the steam mop body by pressing the steam head release button (12) and pulling the steam mop body (11) off the steam head (5).

ATTACHING THE WATER TANK

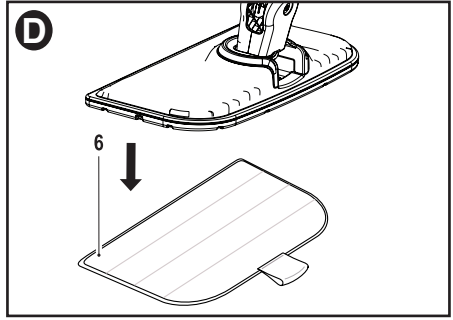
- Clip the water tank (3) onto the handle (4).
- Slide the water tank down into the steam mop body (11), ensure that the water tank is firmly seated.



ATTACHING A CLEANING PAD - Fig. D

Replacement cleaning pads are available from your Black & Decker dealer (cat. no. SMP20).

- Place a micro-fiber cleaning pad (6) on the floor with the 'hook & loop' side facing up.
- Raise the steam mop off the resting mat (7) and press it down onto the cleaning pad (6). You are now ready to steam clean and sanitize your floor.

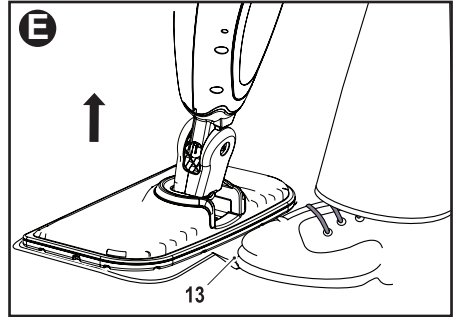


NOTICE: Always place the steam mop on the resting mat (7) with the handle (4) in the upright position when stationary and make sure the steam mop is turned off when not in use.

REMOVING A CLEANING PAD - Fig. E

CAUTION: Always wear suitable shoes when changing the cleaning pad on your steam mop. Do not wear slippers or open-toed footwear.

- Return the handle (4) to the upright position and turn the steam mop 'OFF'.
- Place the steam mop on the resting mat and wait until it cools down. (approximately five minutes)
- Place the front of your shoe onto the cleaning pad removal tab (13) and press down firmly.
- Lift the steam mop up off the cleaning pad.



NOTICE: Always place the steam mop on the resting mat (7) with the handle (4) in the upright position when stationary and make sure the steam mop is turned off when not in use.

FILLING THE WATER TANK - Fig. F & G

This Steam Mop incorporates an anti-calcium system to help prolong the life of the system.

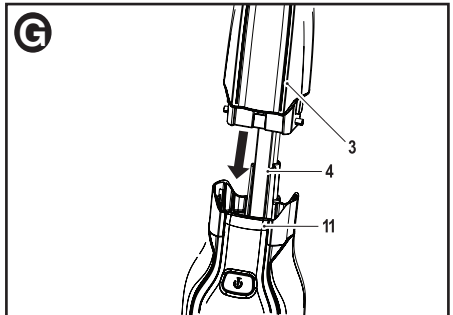
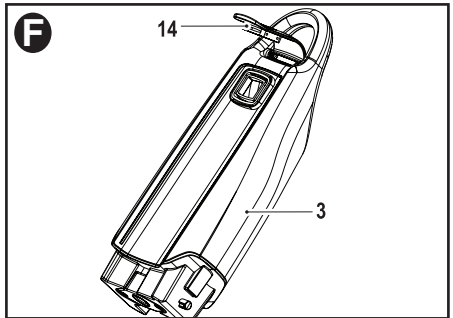
NOTICE: The water tank is conveniently removable for easier use.

NOTICE: Fill the water tank with regular tap water.

NOTICE: In areas of very hard water, the use of de-ionized water is recommended.

WARNING: Do not overfill the tank. Only fill to bottom of hole with water tank in vertical position.

- Ensure that the appliance is switched off and the power cord is disconnected from the power supply.
- Place the steam mop on the resting mat (7) with the handle (4) in the upright position.
- Remove the water tank (3) by pulling it upwards.
- Open the filler cap (14) by lifting it up.
- Fill the water tank (3) with water to the bottom of the hole with tank in vertical position.
- Close the filler cap (14).
- Re-install the water tank onto the steam mop body (11) and ensure it is firmly seated.



NOTICE: Always empty the water tank after use.

OPERATION

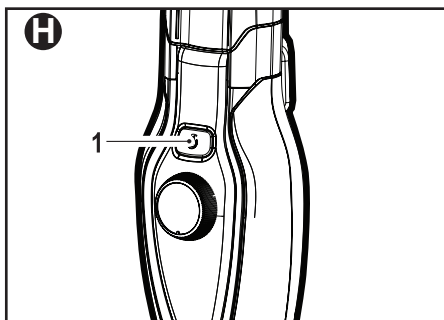
SWITCHING ON AND OFF - Fig. H

⚠ CAUTION: FOR FLOOR USE ONLY;

DO NOT USE THE UNIT UPSIDE DOWN.

NOTICE: When the steam mop is first turned on the water reservoir will glow red. Once the steam mop is ready to use the water reservoir will glow blue. It takes approximately 15 seconds for the steam mop to heat up.

- To switch the appliance on, press the ON/OFF button (1).
- To switch the appliance off, press the ON/OFF button.



NOTICE: Never leave the steam mop in one spot on any surface for any period of time. Always place the steam mop on the resting mat (7) with the handle tube (4) in the upright position when stationary and make sure the steam mop is turned off when not in use.

NOTICE: Always empty the water tank after use.

SmartSelect™ Dial

The steam mop is equipped with a SmartSelect™ dial (2) which shows various hard floor surface cleaning applications. They are used to select the correct operating mode for your particular hard floor surface.

NOTICE: Do not use on any unsealed hard floor surfaces. Additionally, on surfaces that have been treated with wax or some no wax floors, the sheen may be removed by the heat and steam action. It is always recommended to test an isolated area of the surface to be cleaned before proceeding. We also recommend that you check the use and care instructions from the floor manufacturer.

Using the SmartSelect™ dial (2), choose from one of the following applications:

The steam mop will select the correct volume of steam required for your particular cleaning operation.

NOTICE: This unit will kill 99.9% of bacteria and germs when used in accordance with this manual and with the micro fiber pad fitted and a continuous run time of 90 seconds.

	Stone/Marble
	Tiles/Vinyl
	Wood/Laminate

HINTS FOR OPTIMUM USE

GENERAL USE

⚠ CAUTION: Never use the steam mop without first attaching a cleaning pad.

⚠ WARNING: It is important to monitor the water level in the water tank. To refill the water tank and continue to sanitize/ clean, see the Filling Water Tank section.

⚠ CAUTION: Never leave the steam mop in one spot on any surface for any period of time. Always place the steam mop on the resting mat (7) with the handle (4) in the upright position when stationary and make sure the steam mop is turned off when not in use.

- **Always vacuum or sweep the floor before using the steam mop.**
- The easiest way to use the steam mop is to tilt the handle to a 45° angle and clean slowly, covering a small area at a time.
- **Do not use chemical cleaners with your steam mop.** To remove stubborn stains from vinyl or linoleum floors, you can pre-treat them with a mild detergent and some water before using the steam mop.

STEAM CLEANING

- Place a cleaning pad (6) on the floor with the 'hook & loop' side facing up.
- Raise the steam mop off the resting mat (7) and lightly press it down onto the cleaning pad.

- Place the steam mop on the resting mat.
- Plug the steam mop electric cord into the outlet.
- Press the ON/OFF button (1). It takes approximately 15 seconds for the steam mop to heat up.
- Rotate the **SmartSelect™** dial (2) until the required setting is reached.
- Pulling the handle (4) back will activate the steam pump. After a few seconds steam will start to come out of the steam head.

NOTICE: If the system has been run dry it may take up to 30 seconds to prime the system on first use.

- It takes a few seconds for steam to enter the cleaning pad. The steam mop will now glide easily over the surface to be sanitized/cleaned.
- Push and pull the steam mop slowly across the floor to thoroughly steam clean each section.

NOTICE: During use you may turn off the steam pump by returning the handle to the upright position, this convenient feature will allow you to place the steam mop on the resting mat for a short time so that you may move items or furniture, then continue cleaning without the need to switch the appliance off.

- When you have finished using the steam mop, return the handle (4) to the upright position and turn it 'OFF', place it on the resting mat (7) and wait until the steam mop cools down. (approximately five minutes)

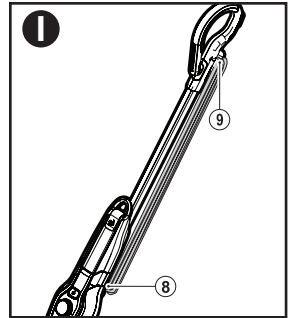
AFTER USE - Fig. 1

- Return the handle (4) to the upright position and turn the steam mop 'OFF'.
- Place the steam mop on the resting mat (7) and wait until the steam mop cools down. (approximately five minutes)
- Unplug the steam mop from the wall outlet.
- Empty the water tank (3).
- Remove the cleaning pad (6) and wash it so that it is ready for the next use. (Take care to follow the wash care instructions printed on the cleaning pad).
- Wrap the electric cord around the cord hooks (8 & 9).

NOTICE: The top cord hook rotates to easily release the cord for the next use.

- Place steam mop on the resting mat (7) for storage.

NOTICE: With the handle (4) in the upright position, the cord neatly wrapped around the cord hooks (8 & 9), your steam mop will stand on its own for storage. Alternatively there is a hanging bracket built into the hand grip which will allow your steam mop to be hung from a suitable hook on the wall. Always ensure that your wall hook is capable of supporting the weight of the steam mop safely.



MAINTENANCE AND CLEANING

Your Black & Decker corded appliance has been designed to operate over a long period of time with a minimum of maintenance. Continuous satisfactory operation depends upon proper appliance care and regular cleaning.

⚠ WARNING: Before performing any maintenance or cleaning on corded appliances switch off and unplug the appliance.

- Clean your appliance using a soft damp cloth. Never let any liquid get inside the appliance; never immerse any part of the appliance into a liquid. **IMPORTANT:** To assure product SAFETY and RELIABILITY, repairs, maintenance and adjustment should be performed by authorized service centers or other qualified service organizations, always using identical replacement parts.
- For stubborn marks you can use a mild solution of soap and water to dampen your cloth.

CARE OF THE CLEANING PADS

NOTICE: Follow the cleaning instructions printed on the label of your cleaning pad.

Wash care instructions - Machine wash warm 140°F (60°C) - No bleach - No fabric softener - Air dry only - Allow to dry fully before re-use.

ACCESSORIES

Recommended accessories for use with your appliance are available from your local dealer or authorized service center. If you need assistance regarding accessories, please call: **1-800-544-6986**.

⚠ WARNING: The use of any accessory not recommended for use with this appliance could be hazardous.

TROUBLESHOOTING

PROBLEM	POSSIBLE CAUSE	POSSIBLE SOLUTION
• Unit will not start.	• Cord not plugged in. • Main switch not on. • Floor head not correctly fitted. • Circuit fuse is blown.	• Plug appliance into a working outlet. • Turn main switch on. • Ensure floor head is correctly attached. • Replace circuit fuse. (If the product repeatedly causes the circuit fuse to blow, discontinue use immediately and have it serviced at a Black & Decker service center or authorized servicer.)
	• Circuit breaker is tripped.	• Reset circuit breaker. (If the product repeatedly causes the circuit breaker to trip, discontinue use immediately and have it serviced at a Black & Decker service center or authorized servicer.)
	• Cord or switch is damaged.	• Have cord or switch replaced at a Black & Decker Service Center or Authorized Servicer.
• Mop will not make steam.	• No water in water tank. • Tank not fitted correctly.	• Add water to the water tank. • Ensure tank is fully attached and seated.
• Mop leaves water on floor.	• Cleaning pad is too wet.	• Unplug unit from power outlet and change the micro-fiber cleaning pad.
• Mop left spot on floor.	• Mop left in one spot too long. • Hard water.	• Never leave the steam mop on the floor with a damp or wet cleaning pad still attached when not in use. • Use distilled water.

For assistance with your product, visit our website **www.blackanddecker.com** for the location of the service center nearest you or call the BLACK & DECKER help line at **1-800-544-6986**.

SERVICE INFORMATION

All Black & Decker Service Centers are staffed with trained personnel to provide customers with efficient and reliable power tool service. Whether you need technical advice, repair, or genuine factory replacement parts, contact the Black & Decker location nearest you. To find your local service location, refer to the yellow page directory under "Tools—Electric" or call: **1-800-544-6986** or visit **www.blackanddecker.com**

LIMITED TWO-YEAR HOME USE WARRANTY

Black & Decker (U.S.) Inc. warrants this product to be free from defects in material or workmanship for a period of two (2) years following the date of purchase, provided that the product is used in a home environment. This limited warranty does not cover failures due to abuse, accidental damage or when repairs have been made or attempted by anyone other than Black & Decker and its Authorized Service Centers. A defective product meeting the guarantee conditions set forth herein will be replaced or repaired at no charge in either of two ways: The first, which will result in exchanges only, is to return the product to the retailer from whom it was purchased (provided that the store is a participating retailer). Returns should be made within the time period of the retailer's policy for exchanges. Proof of purchase may be required. Please check with the retailer for its specific return policy regarding time limits for returns or exchanges. The second option is to take or send the product (prepaid) to a Black & Decker owned or authorized Service Center for repair or replacement at Black & Decker's option. Proof of purchase may be required. Black & Decker owned and authorized service centers are listed under "Tools—Electric" in the yellow pages of the phone directory or online at **www.blackanddecker.com**.

This warranty does not apply to accessories. This warranty gives you specific legal rights and you may have other rights which vary from state to state. Should you have any questions, contact the manager of your nearest Black & Decker Service Center. This product is not intended for commercial use, and accordingly, such commercial use of this product will void this warranty. All other warranties, express or implied, are hereby disclaimed.

LATIN AMERICA: This warranty does not apply to products sold in Latin America. For products sold in Latin America, check country specific warranty information contained in the packaging, call the local company or see the website for such information.

FREE WARNING LABEL REPLACEMENT: If your warning labels become illegible or are missing, call **1-800-544-6986** for a free replacement.

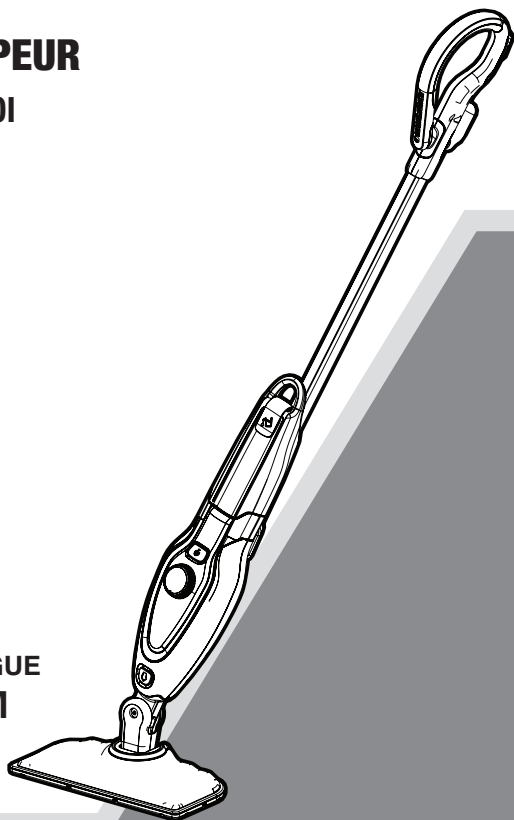
Imported by
Black & Decker (U.S.) Inc.,
701 E. Joppa Rd.
Towson, MD 21286 U.S.A.



See 'Tools-Electric'
– Yellow Pages –
for Service & Sales



BALAI À VAPEUR **MODE D'EMPLOI**



N° DE CATALOGUE
BDH1720SM

Merci d'avoir choisi Black & Decker! Consulter le site Web www.BlackandDecker.com/NewOwner pour enregistrer votre nouveau produit.

À LIRE AVANT DE RETOURNER CE PRODUIT POUR QUELQUE RAISON QUE CE SOIT : Si des questions ou des problèmes surgissent après l'achat d'un produit Black & Decker, consulter le site Web www.blackanddecker.com/instantanswers pour obtenir des réponses instantanément 24 heures par jour. Si la réponse est introuvable ou en l'absence d'accès à l'Internet, composer le 1 800 544-6986 de 8 h à 17 h HNE, du lundi au vendredi, pour parler avec un agent. Prière d'avoir le numéro de catalogue sous la main lors de l'appel.

Pour l'achat d'un filtre de rechange composer le 1-888-678-7278

CONSERVER CE MODE D'EMPLOI POUR UN USAGE ULTÉRIEUR.
pour usage domestique seulement.

LIGNES DIRECTRICES EN MATIÈRE DE SÉCURITÉ - DÉFINITIONS

Il est important que vous lisiez et compreniez ce mode d'emploi. Les informations qu'il contient concernent VOTRE SÉCURITÉ et visent à ÉVITER TOUT PROBLÈME. Les symboles ci-dessous servent à vous aider à reconnaître cette information.

⚠ DANGER : Indique une situation dangereuse imminente qui, si elle n'est pas évitée, causera la mort ou des graves blessures.

⚠ AVERTISSEMENT : Indique une situation potentiellement dangereuse qui, si elle n'est pas évitée, pourrait causer la mort ou de graves blessures.

⚠ MISE EN GARDE : Indique une situation potentiellement dangereuse qui, si elle n'est pas évitée, pourrait causer des blessures mineures ou modérées.

AVIS : Utilisé sans le symbole d'alerte à la sécurité, indique une situation potentiellement dangereuse qui, si elle n'est pas évitée, peut résulter en des dommages à la propriété.

UTILISATION PRÉVUE

Le balai à vapeur Black & Decker a été conçu pour désinfecter et nettoyer les sols SCÉLLÉS suivants : le bois dur, le bois lamellé, le linoléum, le vinyle, les carreaux de céramique, la pierre et le marbre. Directives de sécurité

⚠ AVERTISSEMENT : Lire tous les avertissements de sécurité et toutes les consignes. Le non-respect des avertissements et des directives figurant ci-dessous peut entraîner des risques de décharge électrique, d'incendie ou de blessures graves.

⚠ AVERTISSEMENT : Lorsque des outils électriques sont utilisés, des précautions de base en matière de sécurité, notamment les suivantes, doivent toujours être observées afin de réduire le risque d'incendie, de décharge électrique, de blessures corporelles et de dommages matériels.

AVERTISSEMENTS DE SÉCURITÉ ET DIRECTIVES : FICHES POLARISÉES

Pour réduire le risque de décharge électrique, le présent appareil comporte une fiche polarisée (une broche est plus large que l'autre). Cet équipement doit être utilisé avec une rallonge polarisée appropriée à 2 ou 3 fils. Les connexions polarisées ne peuvent être utilisées que dans un sens.

S'assurer que le réceptacle à l'extrémité de la rallonge est équipé de fentes de lame de largeurs différentes (petites et grandes). Si la fiche ne s'insère pas totalement dans la rallonge, la renverser. Si elle ne s'insère toujours pas, se procurer la rallonge appropriée. Si la rallonge ne s'insère pas complètement dans la prise, communiquer avec un électricien professionnel pour qu'il installe une prise appropriée. Ne modifier en aucune façon la fiche de l'outil ou la rallonge.

Calibre minimal des cordons de rallonge					
Tension	Longueur totale du cordon en pieds				
120V	0-25	26-50	51-100	101-150	
	(0-7,6m)	(7,6-15,2m)	(15,2-30,4m)	(30,4-45,7m)	
240V	0-50	51-100	101-200	201-300	
	(0-15,2m)	(15,2-30,4m)	(30,4-60,9m)	(60,9-91,4m)	
Intensité (A)		Calibre moyen des fils (AWG)			
Au moins	Au plus				
0	- 6	18	16	16	14
6	- 10	18	16	14	12
10	- 12	16	16	14	12
12	- 16	14	12	Non recommandé	

- Bien lire tout le mode d'emploi avant d'utiliser l'appareil.
- L'utilisation prévue est décrite dans le présent mode d'emploi. L'utilisation de tout accessoire ou pièce ou encore toute opération réalisée avec cet appareil autre que celles recommandées dans le présent mode d'emploi peut présenter un risque de blessures corporelles.
- Conserver ce mode d'emploi pour un usage ultérieur.

UTILISATION DE L'APPAREIL

- Ne pas diriger la vapeur vers les gens, les animaux, des appareils électriques ou des prises de courant.
- Ne pas exposer à la pluie.
- Ne pas immerger l'appareil dans l'eau.
- Ne pas laisser l'appareil sans surveillance. Tenir les enfants à l'écart de l'appareil lorsqu'il fonctionne.

- Ne pas laisser l'appareil branché à une prise de courant lorsqu'il n'est pas utilisé.
- Ne jamais tirer sur le cordon pour débrancher l'appareil de la prise. Tenir le cordon éloigné de la chaleur, de l'huile et des bords tranchants.
- Ne pas manipuler le balai à vapeur avec des mains mouillées.
- Ne pas tirer sur le cordon ni transporter l'outil par le cordon. Ne pas utiliser le cordon comme poignée, ni fermer une porte dessus, ni tirer le cordon contre des bords tranchants, ni l'exposer à des surfaces chauffées.
- Ne pas utiliser l'appareil dans un endroit fermé rempli de vapeur émanant de diluant pour peintures à l'huile, de certaines substances de traitement antimites, de poussières inflammables ou d'autres vapeurs explosives ou toxiques.
- Ne pas utiliser sur du cuir, des meubles ou des planchers polis à la cire, des tissus synthétiques, du velours ou d'autres tissus délicats sensibles à la vapeur.
- Ne pas utiliser sur du bois non scellé ou des planchers lamellés non scellés, car l'humidité provenant de la vapeur pourrait causer des dommages. En outre, sur les surfaces traitées à la cire ou sur certains planchers sans cire, le lustre peut être enlevé par la chaleur et l'action de la vapeur. Il est toujours recommandé de tester un endroit isolé de la surface à nettoyer avant de procéder. Nous recommandons également de consulter le mode d'emploi et d'entretien fourni par le fabricant de planchers.
- Ne jamais verser de produits de détartrage ou de produits aromatiques, alcoolisés ou détergents dans le balai à vapeur, car cela peut l'endommager ou le rendre non sécuritaire à l'utilisation.
- Si le disjoncteur s'active durant l'utilisation de la fonction vapeur, cesser d'utiliser le produit immédiatement et communiquer avec le centre de soutien à la clientèle. (Attention au risque de décharge électrique.)
- L'appareil émet une vapeur très chaude pour désinfecter l'endroit utilisé. Cela signifie que la tête à vapeur et les tampons nettoyeurs deviennent très chauds durant l'utilisation.

⚠ MISE EN GARDE : Toujours porter des chaussures adéquates à l'utilisation du balai à vapeur et au changement des accessoires de l'appareil. Ne pas porter des pantoufles ou des chaussures à bout ouvert.

- Le couvercle peut devenir chaud durant l'utilisation de l'appareil.
- De la vapeur peut s'échapper de l'appareil durant son utilisation.
- Être prudent au moment d'utiliser cet appareil. NE PAS toucher les pièces qui peuvent devenir chaudes durant l'utilisation de l'appareil.
- Éteindre l'appareil et remettre la poignée à la verticale avant d'enlever le bouchon du réservoir d'eau.

APRÈS USAGE

- Débrancher l'appareil et le laisser refroidir sur le tapis de repos avant de le nettoyer.
- Lorsque l'appareil n'est pas utilisé, il doit être rangé dans un endroit sec.
- Les enfants ne doivent pas avoir accès aux appareils rangés.

INSPECTION ET RÉPARATIONS

- Débrancher l'appareil et le laisser refroidir sur le tapis de repos avant d'effectuer un entretien ou des réparations.
- Avant son utilisation, vérifier l'appareil à la recherche de pièces endommagées ou défectueuses. Vérifier si des pièces sont brisées, si des interrupteurs sont endommagés et s'il y a d'autres problèmes pouvant compromettre le fonctionnement de l'appareil.
- Vérifier régulièrement si le cordon d'alimentation est endommagé.
- Ne pas utiliser l'appareil si une pièce est endommagée ou défectueuse.
- Faire réparer ou remplacer toute pièce endommagée ou défectueuse par un agent de réparation autorisé.
- Ne jamais tenter d'enlever ou de remplacer toute pièce autre que celles précisées dans ce mode d'emploi.

SÉCURITÉ D'AUTRUI

- Cet appareil ne doit pas être utilisé par des personnes (notamment des enfants) présentant des capacités physiques, sensorielles ou mentales réduites ou ayant un manque d'expérience et de connaissance, à moins qu'elles ne soient supervisées ou informées relativement à l'utilisation de l'appareil par une personne responsable de leur sécurité.
- Les enfants doivent être supervisés afin de s'assurer qu'ils ne jouent pas avec l'appareil.

RISQUES RÉSIDUELS

Des risques résiduels supplémentaires peuvent survenir au moment d'utiliser l'outil et peuvent ne pas figurer dans les avertissements de sécurité aux présentes. Ces risques peuvent se poser en cas d'utilisation inadéquate, d'utilisation prolongée, etc. Il est impossible d'éviter certains risques résiduels malgré le respect de toutes les règles

de sécurité pertinentes et l'utilisation de dispositifs de protection. Cela comprend :

- Les blessures causées en touchant des pièces mobiles.
- Les blessures causées en touchant des pièces chaudes.
- Les blessures causées en changeant des pièces ou des accessoires.
- Les blessures causées par une utilisation prolongée de l'appareil. Lorsque l'appareil est utilisé durant de longues périodes, s'assurer de prendre régulièrement une pause.

DESCRIPTION FONCTIONNELLE

1. Interrupteur MARCHÉ/
ARRÊT

2. Cadran SmartSelect^{MC}

3. Réservoir d'eau
amovible

4. Poignée

5. Tête à vapeur

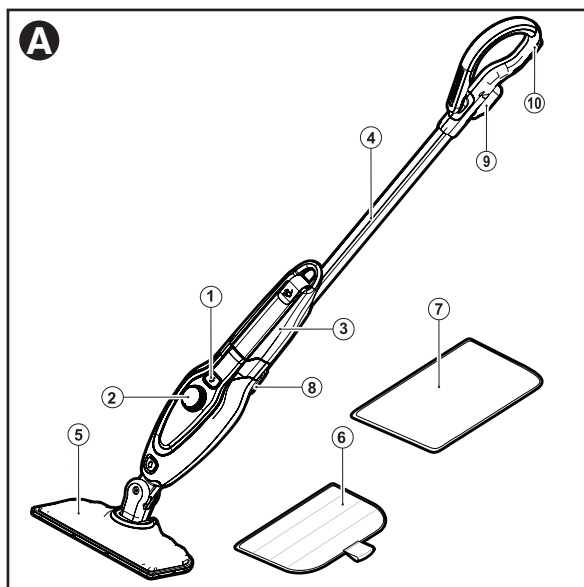
6. Tampon nettoyant en
microfibres

7. Tapis de repos

8. Crochet à cordon
inférieur

9. Crochet à cordon
supérieur

10. Pince à cordon



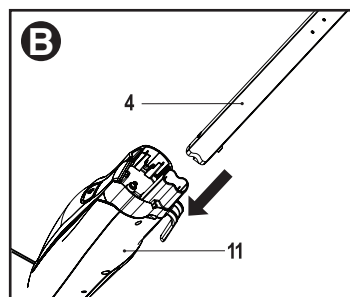
ASSEMBLAGE

REMARQUE : Chaque balai à vapeur est contrôlé à 100 % en usine pour assurer le rendement et la sécurité du produit. Au moment d'assembler pour la première fois le balai à vapeur neuf, on peut constater la présence d'eau à l'intérieur du produit.

⚠ AVERTISSEMENT : Avant de réaliser les opérations suivantes, s'assurer que l'appareil est éteint et débranché, qu'il est froid et qu'il renferme peu ou pas d'eau.

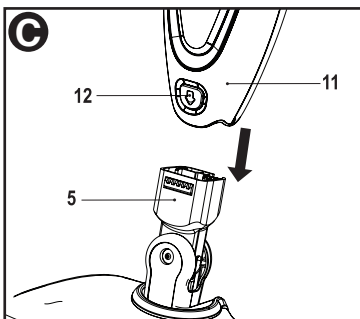
FIXATION DE LA POIGNÉE - Fig. B & I

- Avec les deux crochets à cordon (8 et 9) vers l'arrière, glisser l'extrémité basse du guidon tubulaire (4) dans l'extrémité haute du corps du balai à vapeur (11) de manière à ce qu'il tienne solidement et qu'un déclic se fasse entendre.



FIXATION DE LA TÊTE À VAPEUR - Fig. C

- Glisser l'extrémité basse du corps du balai à vapeur (12) sur la tête à vapeur (5) de manière à ce qu'un déclic se fasse entendre.
- La tête à vapeur peut être enlevée du corps du balai à vapeur. Il suffit d'enfoncer le bouton de dégagement de la tête à vapeur (13) et de retirer le corps du balai à vapeur (12) de la tête à vapeur (5).



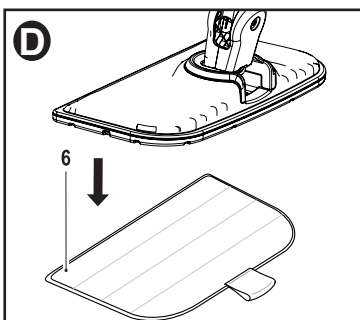
FIXATION DU RESERVOIR D'EAU

- Avec la pince, fixer le réservoir d'eau (3) à la poignée (4).
- Glisser le réservoir d'eau (3) dans le corps du balai à vapeur (11) en veillant à ce qu'il tienne solidement.

FIXATION D'UN TAMPON NETTOYANT - Fig. D

Des tampons nettoyants de rechange sont offerts auprès du détaillant Black & Decker local (n° de cat. SMP20).

- Mettre le tampon nettoyant en microfibres (6) sur le plancher de manière à ce que le côté 'auto-agrippant' soit vers le haut.
- Soulever le balai à vapeur du tapis de repos (7), puis l'appuyer sur le tampon nettoyant (6). L'appareil est maintenant prêt à nettoyer et à désinfecter à la vapeur le plancher.

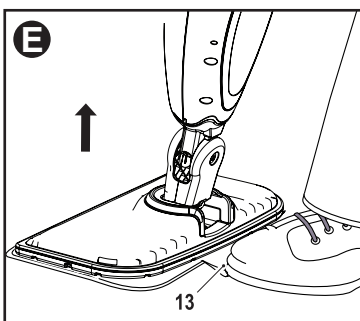


AVIS : Toujours mettre le balai à vapeur sur le tapis de repos (7), la poignée (4) étant à la verticale lorsque l'appareil est immobile. S'assurer aussi que le balai à vapeur est éteint lorsqu'il n'est pas utilisé.

RETRAIT D'UN TAMPON NETTOYANT - Fig. E

⚠ MISE EN GARDE : Toujours porter des chaussures adéquates au moment de changer le tampon nettoyant du balai à vapeur. Ne pas porter des pantoufles ou des chaussures à bout ouvert.

- Remettre la poignée (4) à la verticale, puis éteindre le balai à vapeur en le mettant sur la position « ARRÊT ».
- Mettre le balai à vapeur sur le tapis de repos et le laisser refroidir (environ cinq minutes).
- Mettre la partie avant de la chaussure sur la languette de dégagement (13) du tampon nettoyant et l'enfoncer fermement.
- Soulever le balai à vapeur du tampon nettoyant.



AVIS : Toujours mettre le balai à vapeur sur le tapis de repos (7), la poignée (4) étant à la verticale lorsque l'appareil est immobile et s'assurer aussi que le balai à vapeur est éteint lorsqu'il n'est pas utilisé.

REPLISSAGE DU RESERVOIR D'EAU - Fig. F & G

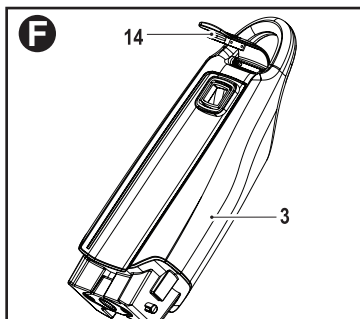
La durée de vie du balai à vapeur est prolongée par un système contre l'entartrage.

AVIS : Le réservoir d'eau a un mode de dépose pratique, ce qui facilite l'utilisation.

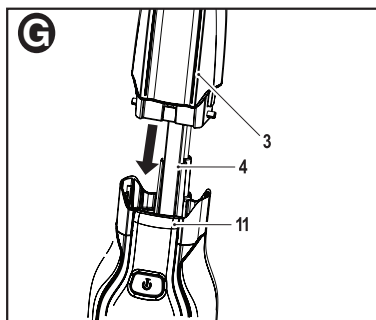
AVIS : Remplir le réservoir d'eau avec de l'eau du robinet.

AVIS : Dans les régions où l'eau est très dure, il est recommandé d'utiliser de l'eau désionisée.

⚠ AVERTISSEMENT : Ne pas trop remplir le réservoir. Remplir jusqu'au bas du trou seulement, avec le réservoir d'eau à la verticale.



- S'assurer que l'appareil est éteint et que le cordon est débranché de l'alimentation.
- Mettre le balai à vapeur sur le tapis de repos (7), la poignée (4) étant à la verticale.
- Retirer le réservoir d'eau (3) en le tirant vers le haut.
- Ouvrir le capuchon de remplissage (14) en le soulevant.
- Remplir le réservoir (3) d'eau jusqu'au bas du trou, avec le réservoir à la verticale.
- Fermer le capuchon de remplissage (14).
- Réinstaller le réservoir d'eau sur le corps du balai à vapeur (11) et s'assurer qu'il tient solidement.



AVIS : Toujours vider le réservoir d'eau après l'avoir utilisé.

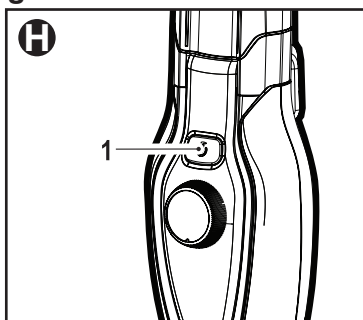
FONCTIONNEMENT

ALLUMER ET ETEINDRE L'APPAREIL - Fig. H

⚠ MISE EN GARDE : UTILISATION POUR LE PLANCHER SEULEMENT; NE PAS UTILISER L'APPAREIL A L'ENVERS.

AVIS : Lorsque le balai à vapeur est allumé pour la première fois, le témoin du réservoir d'eau passe au rouge. Lorsque le balai à vapeur est prêt à être utilisé, le témoin du réservoir passe au bleu. Il faut environ 15 secondes pour que le balai à vapeur se réchauffe.

- Pour allumer l'appareil, enfoncer le bouton MARCHE/ARRÊT (1).
- Pour éteindre l'appareil, enfoncer le bouton MARCHE/ARRÊT (1).



AVIS : Ne jamais laisser le balai à vapeur à un endroit, peu importe la surface, pendant une période de temps. Toujours mettre le balai à vapeur sur le tapis de repos (7), le guidon tubulaire (4) étant à la verticale lorsque l'appareil est immobile. S'assurer aussi que le balai à vapeur est éteint lorsqu'il n'est pas utilisé.

AVIS : Toujours vider le balai à vapeur après l'avoir utilisé.

CADRAN SMART SELECT^{MC}

Le balai à vapeur est pourvu d'un cadran SmartSelect^{MC} (2) qui indique diverses applications de nettoyage pour les surfaces de planchers durs. Il permet de choisir le bon mode de fonctionnement pour l'application de nettoyage convenant à la surface particulière du plancher dur.

⚠ AVERTISSEMENT : Ne pas utiliser sur du bois non scellé ou des planchers lamellés non scellés, car l'humidité provenant de la vapeur pourrait causer des dommages. En outre, sur les surfaces traitées à la cire ou sur certains planchers sans cire, le lustre peut être enlevé par la chaleur et l'action de la vapeur. Il est toujours recommandé de tester un endroit isolé de la surface à nettoyer avant de procéder. Nous recommandons également de consulter le mode d'emploi et d'entretien fourni par le fabricant de planchers.

Utiliser le cadran SmartSelect^{MC} (2) pour choisir l'une des applications suivantes :

Le balai à vapeur sélectionnera le bon volume de vapeur requis pour l'opération de nettoyage particulière.

	Pierre/marbre
	Carreaux/vinyle
	Bois dur/bois lamellé

AVIS : Si l'appareil est utilisé en conformité avec le présent manuel, il tue 99,9 % des bactéries et des germes avec le tampon en microfibres en place et un temps d'utilisation continue de 90 secondes.

CONSEILS POUR UNE UTILISATION OPTIMALE

USAGE GENERAL

⚠ MISE EN GARDE : Ne jamais utiliser le balai à vapeur sans d'abord y fixer un tampon nettoyant.

⚠ AVERTISSEMENT : Il est important de surveiller le niveau d'eau dans le réservoir d'eau. Pour remplir le réservoir d'eau et continuer de désinfecter ou de nettoyer, voir la section Remplissage du réservoir d'eau.

⚠ MISE EN GARDE : Ne jamais laisser le balai à vapeur à un endroit, peu importe la surface, pendant une période de temps. Toujours mettre le balai à vapeur sur le tapis de repos (7), la poignée (4) étant à la verticale lorsque l'appareil est immobile. S'assurer aussi que le balai à vapeur est éteint lorsqu'il n'est pas utilisé.

- Toujours passer l'aspirateur ou le balai sur le plancher avant d'utiliser le balai à vapeur.
- La façon la plus facile d'utiliser le balai à vapeur est d'incliner la poignée à un angle de 45° et de nettoyer lentement en couvrant une petite section à la fois.
- Ne pas utiliser des produits nettoyants chimiques avec le balai à vapeur. Pour éliminer les taches tenaces des planchers de vinyle ou de linoléum, on peut les prétraiter avec un détergent doux et un peu d'eau avant d'utiliser le balai à vapeur.

NETTOYAGE A LA VAPEUR

- Mettre un tampon nettoyant (6) sur le plancher de manière à ce que le côté 'auto-agrippant' soit vers le haut.
- Soulever le balai à vapeur du tapis de repos (7), puis l'appuyer légèrement sur le tampon nettoyant.
- Mettre le balai à vapeur sur le tapis de repos.
- Brancher le cordon d'alimentation du balai à vapeur dans la prise.
- Régler le cadran MARCHE/ARRÊT (1). Il faut environ 15 secondes pour que le balai à vapeur se réchauffe.
- Régler le cadran SmartSelectMC (2) jusqu'à ce que la position requise soit atteinte.
- Tirer sur la poignée (4) activera la pompe à vapeur. Au bout de quelques secondes, la vapeur commencera à sortir de la tête à vapeur.

AVIS : Si l'appareil est tombé à sec, la remise en marche peut prendre jusqu'à 30 secondes.

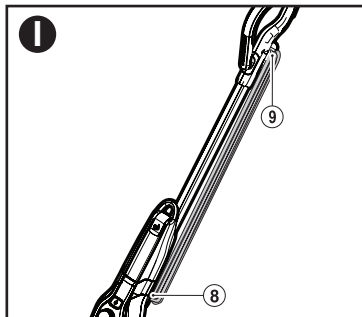
- Il faut quelques secondes pour que la vapeur pénètre dans le tampon nettoyant. Le balai à vapeur glissera maintenant facilement sur la surface à désinfecter/nettoyer.
- Pousser et tirer le balai à vapeur lentement sur le plancher afin de bien nettoyer à la vapeur chaque section.

AVIS : Durant l'utilisation, il est possible de désactiver la pompe à vapeur en remettant la poignée à la verticale. Cette fonction pratique permet de mettre le balai à vapeur sur le tapis de repos pour un moment afin de déplacer des objets ou des meubles, puis de reprendre le nettoyage sans devoir éteindre l'appareil.

- Après avoir terminé d'utiliser le balai à vapeur, remettre la poignée (4) à la verticale, puis éteindre l'appareil en le mettant sur la position « ARRÊT », le mettre sur le tapis de repos (7) et le laisser refroidir (environ cinq minutes).

APRES USAGE - Fig. 1

- Remettre la poignée (4) à la verticale, puis éteindre le balai à vapeur en le mettant sur la position « ARRÊT ».
- Mettre le balai à vapeur sur le tapis de repos (7) et le laisser refroidir (environ cinq minutes).
- Débrancher le balai à vapeur de la prise murale.
- Vider le réservoir d'eau (3).
- Enlever le tampon nettoyant (6) et le laver afin qu'il soit prêt à être utilisé la prochaine fois. (S'assurer de suivre les directives de nettoyage imprimées sur le tampon nettoyant.)
- Enrouler le cordon d'alimentation autour des crochets à cordon (8 & 9).



AVIS : Le crochet à cordon supérieur tourne afin de dégager facilement le cordon pour sa prochaine utilisation.

• Mettre le balai à vapeur sur le tapis de repos (7) en vue du rangement.

AVIS : La poignée (4) étant à la verticale, le cordon bien enroulé autour des crochets à cordon (8 & 9), le balai à vapeur se suffit à lui-même et est prêt à être rangé. Un support de suspension intégré à la poignée permet aussi de pendre le balai à vapeur au mur sur un crochet approprié. Toujours s'assurer que le crochet mural peut soutenir le poids du balai à vapeur de manière sécuritaire.

ENTRETIEN ET NETTOYAGE

L'appareil avec fil Black & Decker a été conçu pour fonctionner longtemps et demander un minimum d'entretien.

Un fonctionnement satisfaisant continu dépend du bon entretien et du nettoyage régulier de l'appareil.

⚠ AVERTISSEMENT : Avant de procéder à tout entretien ou nettoyage d'un appareil avec fil, éteindre l'appareil et le débrancher.

- Nettoyer l'appareil à l'aide d'un chiffon humecté doux. Ne jamais laisser de liquide pénétrer dans l'appareil; ne jamais immerger une partie de l'appareil dans un liquide. **IMPORTANT :** Pour garantir la SÉCURITÉ et la FIABILITÉ du produit, les réparations, l'entretien et le réglage doivent être réalisés par un centre de réparation autorisé ou tout autre centre de réparation professionnel, et des pièces de rechange identiques doivent être utilisées.
- Pour enlever les taches tenaces, on peut utiliser une solution savonneuse douce pour humecter le chiffon.

ENTRETIEN DES TAMPONS NETTOYANTS

AVIS : Respecter les directives de nettoyage imprimées sur l'étiquette du tampon nettoyant.

Directives de lavage - Laver à la machine à l'eau tiède, soit 60 °C (140 °F) - Aucun javellisant - Aucun assouplissant - Sécher à l'air seulement - Laisser complètement sécher avant de réutiliser.

ACCESSOIRES

Les accessoires recommandés pouvant être utilisés avec l'appareil sont disponibles auprès du détaillant local ou du centre de réparation autorisé. Pour obtenir de l'aide concernant les accessoires, composer le : **1 800 544-6986**.

⚠ AVERTISSEMENT : L'utilisation de tout accessoire non recommandé avec cet appareil pourrait s'avérer dangereuse.

DÉPANNAGE

PROBLÈME

- L'appareil ne démarre pas.

CAUSE POSSIBLE

- Cordon d'alimentation non branché.
- L'interrupteur principal n'est pas sur marche.
- La tête du balai n'est pas bien fixée.
- Le fusible du circuit est grillé.

SOLUTION POSSIBLE

- Brancher l'appareil dans une prise en bon état.
- Mettre l'interrupteur principal sur marche
- S'assurer que la tête du balai est bien fixée.
- Remplacer le fusible du circuit. (Si le produit fait griller de façon répétée le fusible du circuit, arrêter immédiatement d'utiliser le produit et le faire réparer dans un centre de réparation Black & Decker ou un centre de réparation autorisé.)
- Réarmer le disjoncteur. (Si le produit fait déclencher de façon répétée le disjoncteur, arrêter immédiatement d'utiliser le produit et le faire réparer dans un centre de réparation Black & Decker ou un centre de réparation autorisé.)
- Faire remplacer le cordon ou l'interrupteur au centre de réparation autorisé.
- Ajouter de l'eau au réservoir.

- Le balai ne produit pas de vapeur.

- Le disjoncteur s'est déclenché.

- Cordon d'alimentation ou interrupteur endommagé.

- Le balai laisse de l'eau sur le plancher.

- Pas d'eau dans le réservoir.
- Le réservoir n'est pas bien fixé.
- Le tampon nettoyant est trop mouillé.

- Le balai laisse une marque sur le plancher.

- Le balai a été laissé trop longtemps au même endroit.

- S'assurer que le réservoir est bien enfoncé et fixé.
- Débrancher l'appareil de la prise de courant, puis remplacer le tampon nettoyant en microfibras.
- Lorsqu'il n'est pas utilisé, ne jamais laisser le balai à vapeur sur le plancher tandis qu'un tampon humide ou mouillé y est fixé.
- Utiliser de l'eau distillée.

Pour de l'aide avec l'outil, consulter notre site Web www.blackanddecker.com pour l'emplacement du centre de réparation le plus près ou communiquer avec l'assistance BLACK & DECKER au **1 800 544-6986**.

INFORMATION SUR LES RÉPARATIONS

Tous les centres de réparation Black & Decker sont dotés de personnel qualifié en matière d'outillage électrique; ils sont donc en mesure d'offrir à leur clientèle un service efficace et fiable. Que ce soit pour un avis technique, une réparation ou des pièces de rechange authentiques installées en usine, communiquer avec l'établissement Black & Decker le plus près de chez vous. Pour trouver l'établissement de réparation de votre région, consulter le répertoire des Pages jaunes à la rubrique « Outils électriques » ou composer le numéro suivant : **1 800 544-6986** ou consulter le site www.blackanddecker.com

GARANTIE LIMITÉE DE DEUX ANS POUR UNE UTILISATION DOMESTIQUE

Black & Decker (É.-U.) Inc. garantit que le produit est exempt de défauts de matériau et de fabrication pendant deux (2) ans à partir de la date d'achat, à condition que le produit soit utilisé en milieu domestique. La présente garantie limitée ne couvre pas les défaillances provoquées par un abus, un dommage accidentel ou des réparations ou tentatives de réparations effectuées par toute autre personne que le personnel de Black & Decker et de ses centres de réparation agréés. Un produit défectueux qui remplit les conditions stipulées par la présente garantie sera remplacé ou réparé sans frais d'une des deux façons suivantes :

La première façon consiste en un échange chez le détaillant où le produit a été acheté (à la condition que le magasin soit un détaillant participant). Tout retour doit se faire durant la période correspondant à la politique d'échange du détaillant. Une preuve d'achat peut être requise. Prière de vérifier la politique de retour du détaillant au sujet des délais impartis pour les retours ou les échanges.

La deuxième option est d'apporter ou d'envoyer le produit (en port payé) à un centre de réparation agréé ou à un centre de réparation Black & Decker pour faire réparer ou échanger le produit, à la discrétion de Black & Decker. Une preuve d'achat peut être requise. Les centres de réparation de Black & Decker et les centres de réparation agréés sont répertoriés dans les pages jaunes sous la rubrique « Outils électriques » de l'annuaire téléphonique ou en ligne sur www.blackanddecker.com.

Cette garantie ne s'applique pas aux accessoires. Cette garantie accorde des droits légaux propres au propriétaire de l'outil. Ce dernier pourrait avoir d'autres droits selon l'État ou la province qu'il habite. Pour toute question, communiquer avec le directeur du centre de réparation Black & Decker le plus près. Ce produit n'est pas destiné à un usage commercial. L'usage commercial de ce produit annule par conséquent cette garantie. Toutes autres garanties, expresses ou implicites, sont déclinées par la présente.

REPLACEMENT GRATUIT DES ÉTIQUETTES D'AVERTISSEMENT : si les étiquettes d'avertissement deviennent illisibles ou sont manquantes, composer le **1 800 544-6986** pour en obtenir le remplacement gratuit.

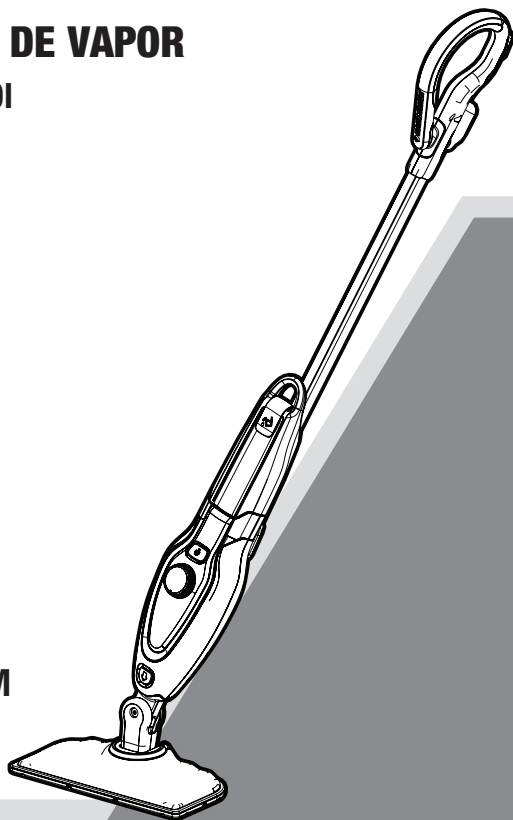
Imported by / Importé par
Black & Decker Canada Inc.
100 Central Ave.
Brockville (Ontario) K6V 5W6

Voir la rubrique "Outils
électriques"
des Pages Jaunes
pour le service et les ventes.



BLACK & DECKER®

TRAPEADOR DE VAPOR **MODE D'EMPLOI**



CATÁLOGO N°
BDH1720SM

Gracias por elegir Black & Decker! Visite www.BlackandDecker.com/NewOwner para registrar su nuevo producto.

LEA EL MANUAL ANTES DE DEVOLVER ESTE PRODUCTO POR CUALQUIER MOTIVO:

Si tiene una consulta o algún inconveniente con su producto Black & Decker, visite <http://www.blackanddecker.com/instantanswers> para obtener respuestas instantáneas las 24 horas del día.

Si no encuentra la respuesta o no tiene acceso a Internet, llame al 1-800-544-6986 de lunes a viernes de 8 a. m. a 5 p. m. hora del Este para hablar con un agente. Cuando llame, tenga a mano el número de catálogo.

Para comprar un filtro de repuesto llame al 1-888-678-7278.

CONSERVE ESTE MANUAL PARA FUTURAS CONSULTAS.

SÓLO PARA USO DOMÉSTICO.

PAUTAS DE SEGURIDAD/DEFINICIONES

Es importante que lea y comprenda este manual. La información que contiene se relaciona con la protección de SU SEGURIDAD y la PREVENCIÓN DE PROBLEMAS. Los símbolos que siguen se utilizan para ayudarlo a reconocer esta información.

⚠ PELIGRO: indica una situación de peligro inminente que, si no se evita, provocará la muerte o lesiones graves.

⚠ ADVERTENCIA: indica una situación de peligro potencial que, si no se evita, provocará la muerte o lesiones graves.

⚠ PRECAUCIÓN: indica una situación de peligro potencial que, si no se evita, provocará lesiones leves o moderadas.

AVISO: utilizado sin el símbolo de alerta de seguridad indica una situación de peligro potencial que, si no se evita, puede provocar daños en la propiedad.

USO PREVISTO

El trapeador de vapor Black & Decker fue diseñado para higienizar y limpiar los siguientes pisos IMPERMEABILIZADOS: madera dura, laminado, linóleo, vinilo, baldosa de cerámica, piedra y mármol.

Únicamente para uso en pisos; no utilice la unidad de manera invertida. Este artefacto está diseñado únicamente para uso doméstico en interiores.

INSTRUCCIONES DE SEGURIDAD

⚠ ADVERTENCIA: Lea todas las advertencias de seguridad y todas las instrucciones. El incumplimiento de cualquiera de las advertencias e instrucciones indicadas a continuación puede provocar una descarga eléctrica, un incendio y/o lesiones graves.

⚠ ADVERTENCIA: Al utilizar artefactos eléctricos, siempre se deben tomar precauciones básicas de seguridad, incluidas las siguientes, para reducir el riesgo de incendios, descargas eléctricas, lesiones personales y daños materiales.

ADVERTENCIAS E INSTRUCCIONES DE SEGURIDAD: ENCHUFES POLARIZADOS

Para reducir el riesgo de descargas eléctricas, este equipo posee un enchufe polarizado (una clavija es más ancha que la otra). Este equipo debe utilizarse

con un cable prolongador polarizado bifilar o trifilar adecuado. Las conexiones polarizadas encajarán entre sí de una sola manera. Verifique que el extremo del receptáculo del cable prolongador tenga una ranura para clavija más ancha y la otra menos ancha. Si el enchufe no encaja por completo en el cable prolongador, voltéelo.

Si aún así no encaja, obtenga un cable prolongador adecuado. Si el cable prolongador todavía no encaja por completo en el tomacorriente, comuníquese con un electricista calificado para instalar el tomacorriente adecuado. No altere el enchufe de la herramienta ni el cable prolongador de ninguna manera.

- Lea atentamente la totalidad de este manual antes de utilizar el artefacto.
- El uso previsto se describe en este manual. El uso de cualquier accesorio o aditamento, o la realización de cualquier operación con este artefacto que no sean los recomendados en este manual de instrucciones puede presentar un riesgo de lesiones personales.
- Conserve este manual para futuras consultas.

Volts	Calibre mínimo para cables de extensión					
	Longitud total del cable en pies					
120V	0-25	26-50	51-100	101-150		
	(0-7,6m)	(7,6-15,2m)	(15,2-30,4m)	(30,4-45,7m)		
240V	0-50	51-100	101-200	201-300		
	(0-15,2m)	(15,2-30,4m)	(30,4-60,9m)	(60,9-91,4m)		
Amperaje	Más de		No más de		American Wire Gage	
0	-	6	18	16	16	14
6	-	10	18	16	14	12
10	-	12	16	16	14	12
12	-	16	14	12	No se recomienda	

USO DEL ARTEFACTO

- No dirija el vapor hacia personas, animales, artefactos eléctricos o tomacorrientes.
- No lo exponga a la lluvia.
- No sumerja el artefacto en agua.
- No deje el artefacto sin supervisión. Mantenga a los niños alejados de la unidad mientras esté en uso.
- No deje el artefacto conectado a un tomacorriente cuando no esté en uso.
- Nunca tire del cable de alimentación para desconectar el artefacto del receptáculo. Mantenga el cable del artefacto alejado del calor, el aceite y los bordes afilados.
- No manipule el limpiador de vapor con las manos mojadas.
- No lo arrastre ni transporte por el cable, no utilice el cable como un mango, no cierre una puerta apretando el cable, no tire del cable cerca de esquinas filosas ni exponga el cable a superficies calientes.
- No lo utilice en un espacio cerrado lleno de vapores emitidos por solventes para pintura a base de aceite, algunas sustancias para tratamiento antipolilla, polvo inflamable u otros vapores explosivos o tóxicos.
- No lo utilice sobre cuero, muebles o pisos lustrados con cera, telas sintéticas, terciopelo u otros materiales delicados y sensibles al vapor.
- No lo utilice sobre pisos de madera o lámina sin impermeabilizar ya que la humedad del vapor podría provocar daños. Tampoco, en superficies que se han tratado con cera o en algunos pisos que no requieren cera, la acción del calor y el vapor puede eliminar el brillo. Siempre se recomienda hacer una prueba en un área aislada de la superficie a limpiar antes de proceder. Le recomendamos también que revise las instrucciones de uso y cuidado del fabricante del piso.
- Nunca aplique productos decapantes, aromáticos, alcohólicos o detergentes en el trapeador de vapor, ya que esto podría dañarlo o hacer que su uso sea peligroso.
- Si el interruptor automático se activa mientras utiliza la función de vapor, suspenda el uso del producto inmediatamente y comuníquese con el centro de atención al cliente. (Tenga en cuenta el riesgo de descargas eléctricas).
- El artefacto emite vapor muy caliente para higienizar el área de uso. Esto significa que el cabezal de vapor y las almohadillas de limpieza se calientan mucho durante el uso.

⚠ PRECAUCIÓN: Siempre use calzado adecuado mientras utilice el trapeador de vapor y cuando cambie los accesorios de éste. No use zapatillas ni calzado que exponga los dedos de los pies.

- Es posible que la tapa se caliente durante el uso.
- Es posible que escape vapor del artefacto durante el uso.
- Se debe tener cuidado al utilizar este artefacto. NO toque ninguna pieza que tal vez se caliente durante el uso.
- Apague el artefacto y devuelva el mango a la posición vertical antes de quitar el tapón del tanque de agua.

DESPUÉS DEL USO

- Desenchufe el artefacto y déjelo enfriar sobre la estera de apoyo antes de limpiarlo.
- Cuando no esté en uso, el artefacto debe guardarse en un lugar seco.
- Los niños no deben tener acceso a los artefactos guardados.

INSPECCION Y REPARACIONES

- Desenchufe el artefacto y déjelo enfriar sobre la estera de apoyo antes de realizar cualquier mantenimiento o reparación.
- Antes del uso, revise si el artefacto presenta piezas dañadas o defectuosas. Verifique si hay piezas rotas, interruptores dañados y cualquier otra condición que puedan afectar su funcionamiento.
- Revise periódicamente si el cable de alimentación presenta daños.
- No utilice el artefacto si alguna pieza está dañada o defectuosa.
- Haga que un agente de reparaciones autorizado repare o reemplace toda pieza dañada o defectuosa.
- Nunca intente retirar o reemplazar ninguna pieza, salvo las especificadas en este manual.

SEGURIDAD DE LOS DEMÁS

- Este artefacto no está diseñado para ser utilizado por personas (incluidos los niños) con capacidades físicas, sensoriales o mentales limitadas, o que carezcan de experiencia y

conocimientos, salvo que una persona encargada de su seguridad les haya supervisado o instruido sobre el uso del artefacto.

- Se debe supervisar a los niños para asegurarse de que no jueguen con el artefacto.

RIESGOS RESIDUALES

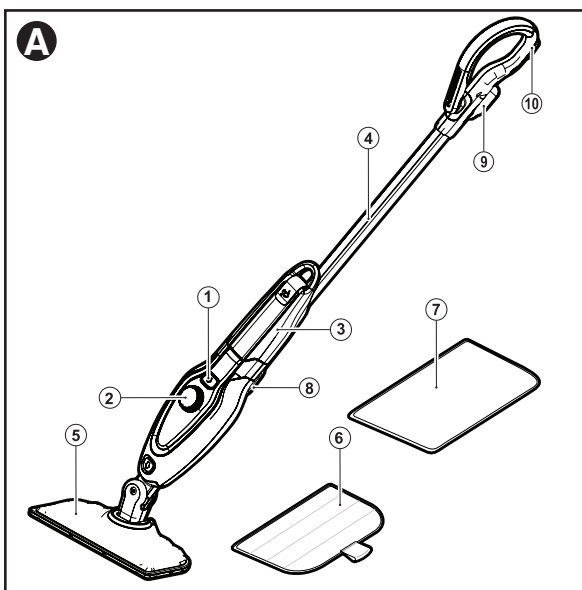
Al utilizar la herramienta, pueden presentarse riesgos residuales adicionales, que tal vez no estén incluidos en las presentes advertencias de seguridad. Estos riesgos puede deberse al uso indebido, al uso prolongado, etc.

Aún con la aplicación de las normas de seguridad correspondientes y la implementación de los dispositivos de seguridad, existen ciertos riesgos residuales que no se pueden evitar. Estos incluyen:

- Lesiones provocadas al tocar cualquiera de las piezas móviles.
- Lesiones provocadas al tocar cualquiera de las piezas calientes.
- Lesiones provocadas al cambiar cualquier pieza o accesorio.
- Lesiones provocadas por el uso prolongado del artefacto. Al utilizar cualquier artefacto durante períodos prolongados, asegúrese de tomar descansos regulares.

DESCRIPCIÓN DE LAS FUNCIONES

1. Interruptor de ENCENDIDO/APAGADO
2. Dial SmartSelect™
3. Tanque de agua desmontable
4. Mango
5. Cabezal de vapor
6. Almohadilla de limpieza de microfibra
7. Estera de apoyo
8. Gancho inferior para el cable
9. Gancho superior para el cable
10. Sujetador para el cable



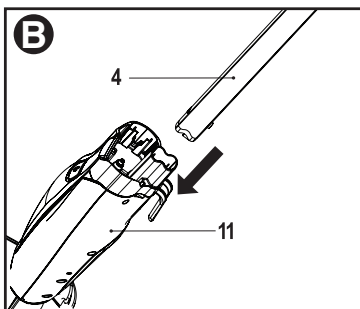
ENSAMBLAJE

NOTA: Cada trapeador de vapor se somete íntegramente a pruebas en la fábrica para garantizar el rendimiento y la seguridad del producto. Al ensamblar el nuevo trapeador de vapor por primera vez, posiblemente note residuos de agua dentro de la unidad.

⚠ ADVERTENCIA: Antes de intentar cualquiera de las siguientes operaciones, verifique que el artefacto esté apagado y desenchufado, y que esté frío y contenga muy poca o nada de agua.

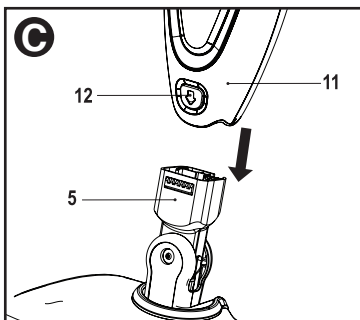
CONEXIÓN DEL MANGO - Fig. B & I

- Con los ganchos para el cable (8 y 9) mirando hacia la parte posterior del aparato, deslice el extremo inferior del tubo del mango (4) dentro del extremo superior de cuerpo del trapeador de vapor (11) hasta que encaje firmemente en su lugar y se escuche un clic.



CONEXIÓN DEL CABEZAL DE VAPOR - Fig. C

- Deslice el extremo inferior del cuerpo del trapeador de vapor (11) sobre el cabezal de vapor (5) hasta que encaje en su lugar y produzca un clic.
- El cabezal de vapor se puede retirar del cuerpo del trapeador de vapor oprimiendo el botón de liberación del cabezal de vapor (13) y tirando del cuerpo del trapeador de vapor para separarlo del cabezal de vapor.



INSTALACIÓN DEL TANQUE DE AGUA

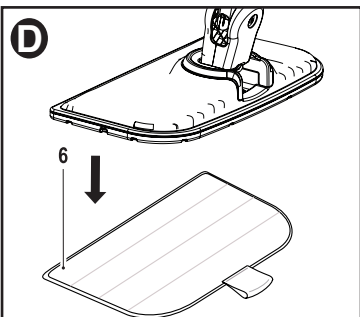
- Enganche el tanque de agua (3) en el mango (4).
- Deslice el tanque de agua (3) hacia abajo en el cuerpo del trapeador de vapor (11), asegurándose de que este se asiente firmemente.

INSTALACIÓN DE UNA ALMOHADILLA DE LIMPIEZA - FIG. D

Puede obtener almohadillas de limpieza de repuesto del distribuidor Black & Decker (nº. cat. SMP20).

- Coloque una almohadilla de limpieza de microfibra (6) sobre el piso con el lado tipo velcro hacia arriba.
- Levante el trapeador de vapor para separarlo de la estera de apoyo (7) y presiónelo levemente sobre la almohadilla de limpieza. Ahora está listo para limpiar e higienizar el piso con vapor.

AVISO: Siempre coloque el trapeador de vapor sobre la estera de apoyo con el mango (4) en posición vertical cuando esté inmóvil y asegúrese de que el trapeador de vapor esté apagado cuando no esté en uso.

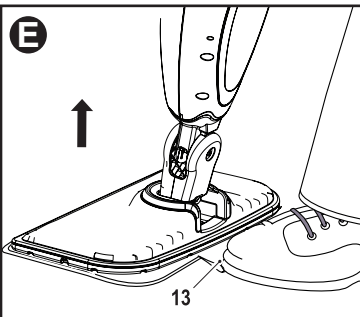


EXTRACCIÓN DE UNA ALMOHADILLA DE LIMPIEZA - FIG. E

⚠ PRECAUCIÓN: Siempre use calzado adecuado al cambiar la almohadilla de limpieza del trapeador de vapor. No use pantuflas ni calzado que exponga los dedos de los pies.

- Devuelva el mango (4) a la posición vertical y "APAGUE" el trapeador de vapor.
- Coloque el trapeador de vapor sobre la estera de apoyo y espere hasta que se enfríe (aproximadamente cinco minutos).
- Apoye la punta de su zapato sobre la lengüeta de extracción de la almohadilla de limpieza (13) y presiónela con firmeza.
- Levante el trapeador de vapor para separarlo de la almohadilla de limpieza.

AVISO: Siempre coloque el trapeador de vapor sobre la estera de apoyo (7) con el mango en posición vertical cuando esté inmóvil y asegúrese de que el trapeador de vapor esté apagado cuando no esté en uso.



LLENADO DEL TANQUE DE AGUA - FIG. F & G

Este trapeador de vapor incorpora un sistema anticalcificación para ayudar a prolongar la vida útil del mismo.

AVISO: El tanque de agua puede desmontarse cómodamente para facilitar el uso.

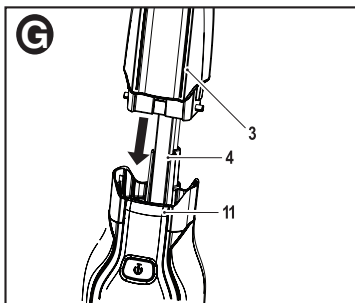
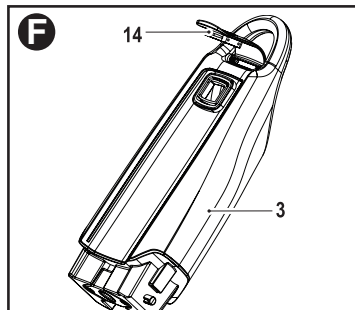
AVISO: Llene el tanque de agua con agua potable normal.

AVISO: En áreas con agua muy dura, se recomienda el uso de agua desmineralizada.

⚠ ADVERTENCIA: No llene el tanque en exceso. Solo llene hasta la parte inferior del orificio con el tanque de agua en posición vertical.

- Asegúrese de que el aparato esté apagado y de que el cable de alimentación esté desconectado de la fuente de alimentación.
- Coloque el trapeador de vapor sobre la estera de apoyo (7) con el mango (4) en posición vertical.
- Retire el tanque de agua (3) halándolo hacia arriba.
- Abra la tapa de llenado (18) levantándola hacia arriba.
- Llene el tanque de agua (3) con agua hasta la parte inferior del orificio con el tanque en posición vertical.
- Cierre la tapa de llenado.
- Vuelva a colocar el tanque de agua sobre el cuerpo del trapeador de vapor (11) y asegúrese de que esté firmemente instalado.

AVISO: Siempre vacíe el tanque de agua después del uso.



OPERACIÓN

ENCENDIDO Y APAGADO - FIG. H

⚠ PRECAUCIÓN: ÚNICAMENTE PARA USO EN PISOS; NO UTILICE LA UNIDAD DE MANERA INVERTIDA.

AVISO: Cuando el trapeador de vapor se enciende por primera vez, el depósito de agua irradiará el color rojo. Una vez que el trapeador de vapor esté listo para el uso, el depósito de agua irradiará el color azul. El trapeador de vapor demora aproximadamente 15 segundos en calentarse.

- Para encender el aparato, oprima el botón de ENCENDIDO/APAGADO (1).
- Para apagar el aparato, oprima el botón de ENCENDIDO/APAGADO.

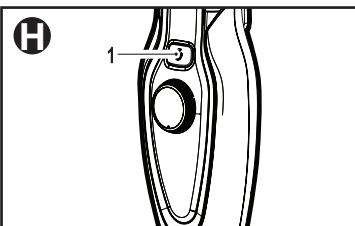
AVISO: Nunca deje el trapeador de vapor en un solo lugar, sobre cualquier superficie, durante un período indeterminado. Siempre coloque el trapeador de vapor sobre la estera de apoyo (7) con el tubo del mango (4) en posición vertical cuando esté inmóvil y asegúrese de que el trapeador de vapor esté apagado cuando no esté en uso.

AVISO: Siempre vacíe el trapeador de vapor después del uso.

DIAL SMARTSELECT™

El trapeador de vapor está provisto de un dial SmartSelect™ (2) que muestra diversas aplicaciones de limpieza para superficies de piso duro. Estas se utilizan para seleccionar el modo de funcionamiento correcto para su aplicación específica de limpieza en superficie de piso duro.

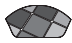


⚠ ADVERTENCIA: No lo utilice sobre pisos de madera o lámina sin impermeabilizar ya que la humedad del vapor podría provocar daños. Tampoco, en superficies que se han tratado con cera o en algunos pisos que no requieren cera, la acción del calor y el vapor puede eliminar el brillo. Siempre se recomienda hacer una prueba en un área aislada de la superficie



a limpiar antes de proceder. Le recomendamos también que revise las instrucciones de uso y cuidado del fabricante del piso.

Al utilizar el dial SmartSelect™ (2), elija una de las aplicaciones siguientes:

El trapeador de vapor seleccionará el volumen de vapor correcto necesario para su operación específica de limpieza.

	Pierre/marbre
	Carreaux/vinyle
	Bois dur/bois lamellé

AVISO: Esta unidad matará un 99,9% de las bacterias y los gérmenes cuando se utiliza de acuerdo con este manual, con la almohadilla de microfibra instalada y durante un tiempo de funcionamiento continuo de 90 segundos.

CONSEJOS PARA UN USO ÓPTIMO

USO GENERAL

⚠ PRECAUCIÓN: Nunca utilice el trapeador de vapor sin primero instalar una almohadilla de limpieza.

⚠ ADVERTENCIA: Es importante controlar el nivel de agua en el tanque. Para rellenar el tanque de agua y seguir higienizando/limpiando, consulte la sección Llenado del tanque de agua.

⚠ PRECAUCIÓN: Nunca deje el trapeador de vapor en un solo lugar, sobre cualquier superficie, durante un período indeterminado. Siempre coloque el trapeador de vapor sobre la estera de apoyo (7) con el mango en posición vertical cuando esté inmóvil y asegúrese de que el trapeador de vapor esté apagado cuando no esté en uso.

- Siempre aspire o barra el piso antes de utilizar el trapeador de vapor.
- La forma más fácil de utilizar el trapeador de vapor es inclinar el mango a un ángulo de 45 grados y limpiar lentamente, cubriendo un área pequeña a la vez.
- No utilice limpiadores químicos con el trapeador de vapor. Para eliminar las manchas difíciles de los pisos de vinilo o linóleo, puede tratarlos previamente con un detergente suave y algo de agua antes de utilizar el trapeador de vapor.

LIMPIEZA CON VAPOR

- Coloque una almohadilla de limpieza (6) sobre el piso con el lado tipo velcro hacia arriba.
- Levante el trapeador de vapor para separarlo de la estera de apoyo (7) y presiónelo levemente sobre la almohadilla de limpieza.
- Coloque el trapeador de vapor sobre la estera de apoyo.
- Enchufe el cable eléctrico del trapeador de vapor en el tomacorriente.
- Oprima el botón de ENCENDIDO/APAGADO (1). El trapeador de vapor demora aproximadamente 15 segundos en calentarse.
- Gire el dial SmartSelect™ (2) hasta obtener la configuración requerida.
- Al tirar el mango (4) hacia atrás se activará la bomba de vapor. Después de unos pocos segundos, el vapor comenzará a salir por el cabezal de vapor.

AVISO: Si el sistema ha funcionado hasta quedar seco, puede tomar hasta 30 segundos cebar el sistema para un nuevo uso.

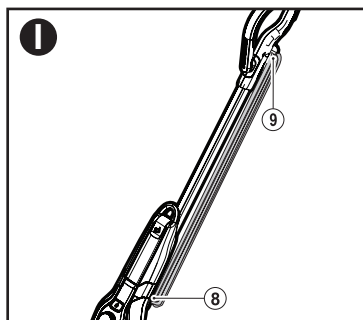
- El vapor demora unos pocos segundos en entrar en la almohadilla de limpieza. Ahora el trapeador de vapor se deslizará fácilmente sobre la superficie que se va a higienizar/limpiar.
- Mueva el trapeador de vapor lentamente hacia adelante y hacia atrás sobre el piso para limpiar cada sección del mismo minuciosamente con vapor.

AVISO: Durante el uso, usted puede apagar la bomba de vapor devolviendo el mango a la posición vertical. Esta conveniente característica le permitirá poner el trapeador de vapor sobre la estera de apoyo durante unos instantes para poder mover elementos o muebles, y luego continuar limpiando sin necesidad de apagar el aparato.

- Cuando haya terminado de utilizar el trapeador de vapor, devuelva el mango a la posición vertical y "APÁGUELO", colóquelo sobre la estera de apoyo y espere hasta que el trapeador de vapor se enfríe (aproximadamente cinco minutos).

DESPUÉS DEL USO - FIG. I

- Devuelva el mango (4) a la posición vertical y "APAGUE" el trapeador de vapor.
- Coloque el trapeador de vapor sobre la estera de apoyo (7) y espere hasta que este se enfríe (aproximadamente cinco minutos).
- Desenchufe el trapeador de vapor del tomacorriente.
- Vacíe el tanque de agua (3).
- Retire la almohadilla de limpieza (6) y lávela de manera que esté lista para el próximo uso. (Tenga la precaución de seguir las instrucciones de cuidado durante el lavado impresas en la almohadilla de limpieza).
- Enrolle el cable eléctrico de alimentación alrededor de los ganchos para el cable (8 y 9).



AVISO: El gancho superior para el cable se puede girar para liberar el cable fácilmente para el próximo uso.

- Coloque el trapeador de vapor sobre la estera de apoyo para guardarlo.

AVISO: Con el mango en posición vertical, el cable bien enrollado alrededor de los ganchos para el cable, el trapeador de vapor permanecerá parado por sí solo para ser guardado. Como alternativa, existe un soporte para colgar integrado en el agarre del mango, el cual le permitirá colgar el trapeador de vapor en un gancho adecuado en la pared. Siempre asegúrese de que el gancho en la pared tenga capacidad para soportar el peso del trapeador de vapor con seguridad.

MANTENIMIENTO Y LIMPIEZA

El artefacto con cable Black & Decker se diseñó para funcionar durante un período prolongado con un mantenimiento mínimo.

El funcionamiento continuo satisfactorio depende del cuidado adecuado del artefacto y de una limpieza periódica.

⚠ ADVERTENCIA: Apague y desenchufe el artefacto antes de efectuar cualquier mantenimiento o limpieza en artefactos con cable.

- Limpie el artefacto con un paño suave y húmedo. Nunca permita que entre ningún líquido dentro del artefacto; nunca sumerja ninguna pieza del artefacto en un líquido.
- ¡IMPORTANTE:** Para garantizar la **SEGURIDAD** y la **CONFIABILIDAD** del producto, las reparaciones, el mantenimiento y el ajuste deben realizarse en los centros de mantenimiento autorizados o en otras organizaciones de mantenimiento calificadas, utilizando siempre piezas de repuesto idénticas.
- En el caso de marcas difíciles, puede utilizar una solución suave de jabón y agua para humedecer el paño.

CUIDADO DE LAS ALMOHADILLAS DE LIMPIEZA

AVISO: Siga las instrucciones de limpieza impresas en la etiqueta de la almohadilla de limpieza.

Instrucciones de cuidado durante el lavado: Lavar a máquina a una temperatura tibia de 60 °C (140 °F). No utilizar cloro. No utilizar suavizante para ropa. Secar únicamente al aire. Dejar secar completamente antes de volver a utilizarlas.

ACCESORIOS

Los accesorios recomendados para uso con el artefacto están disponibles en su distribuidor o centro de mantenimiento autorizado local. Si necesita ayuda con respecto a los accesorios, llame al: **1-800-544-6986**.

⚠ ADVERTENCIA: El empleo de cualquier accesorio no recomendado para uso con este artefacto puede ser peligroso.

DETECCIÓN DE PROBLEMAS

PROBLEMA	CAUSA POSIBLE	SOLUCIÓN POSIBLE
<ul style="list-style-type: none"> • La unidad no enciende. 	<ul style="list-style-type: none"> • El cable no está enchufado. • El interruptor principal • El cabezal para pisos no está instalado correctamente. • Se quema el fusible del circuito. • Se dispara el interruptor automático. • El cable o el interruptor 	<ul style="list-style-type: none"> • Enchufe el artefacto en un tomacorriente que funcione. • Encienda el interruptor principal. • Asegúrese de que el cabezal para pisos esté instalado correctamente. • Reemplace el fusible del circuito. (Si el producto hace que el fusible del circuito se queme repetidamente, suspenda su uso de inmediato y haga que le realicen mantenimiento en un centro de mantenimiento Black & Decker o en un centro de mantenimiento autorizado). • Reinicie el interruptor automático. (Si el producto hace que el interruptor automático se dispare repetidamente, suspenda su uso de inmediato y haga que le realicen mantenimiento en un centro de mantenimiento Black & Decker o en un centro de mantenimiento autorizado). • Haga que reemplacen el cable o el interruptor en un centro de mantenimiento Black & Decker o en un centro de mantenimiento autorizado.
<ul style="list-style-type: none"> • El trapeador no produce vapor. 	<ul style="list-style-type: none"> • No hay agua en el tanque. • El tanque no está instalado correctamente. 	<ul style="list-style-type: none"> • Añada agua al tanque.
<ul style="list-style-type: none"> • El trapeador deja un rastro de agua en el piso. 	<ul style="list-style-type: none"> • La almohadilla de limpieza está muy mojada. 	<ul style="list-style-type: none"> • Asegúrese de que el tanque esté bien sujeto e instalado. • Desenchufe la unidad del tomacorriente y cambie la almohadilla de limpieza de microfibra.
<ul style="list-style-type: none"> • El trapeador deja una mancha en el piso. 	<ul style="list-style-type: none"> • El trapeador se dejó mucho tiempo en un solo lugar. • Agua dura. 	<ul style="list-style-type: none"> • Cuando no esté en uso, nunca deje el trapeador de vapor sobre el piso con una almohadilla de limpieza húmeda o mojada instalada. • Use agua destilada.

Solamente para Propósitos de México

Para conocer la ubicación del centro de servicio más cercano a fin de recibir ayuda con su producto, visite nuestro sitio Web www.blackanddecker.com.mx o llame a la línea de ayuda BLACK & DECKER al **01 800 847 2309/01 800 847 2312**.

INFORMACIÓN DE MANTENIMIENTO

Todos los Centros de servicio de Black & Decker cuentan con personal altamente capacitado dispuesto a brindar a todos los clientes un servicio eficiente y confiable en la reparación de herramientas eléctricas. Si necesita consejo técnico, reparaciones o piezas de repuesto originales de fábrica, póngase en contacto con el centro de servicio de Black & Decker más cercano a su domicilio. Para ubicar su centro de servicio local, consulte la sección "Herramientas eléctricas" (Tools-Electric) de las páginas amarillas, llame al **1-800-544-6986** o visite nuestro sitio **www.blackanddecker.com**.

GARANTÍA PARA USO DOMÉSTICO (GARANTÍA LIMITADA DE DOS AÑOS)

Black & Decker (U.S.) Inc. garantiza que este producto está libre de defectos de material o mano de obra durante un período de dos (2) años desde la fecha de compra, siempre y cuando el producto se utilice en un entorno doméstico. Esta garantía limitada no cubre contra fallas debidas a mal uso, daño accidental o cuando se han realizado o intentado reparaciones por parte de cualquier otra persona ajena a Black & Decker y sus centros de mantenimiento autorizados. Un producto defectuoso que cumple con las condiciones de la garantía establecidas en el presente documento será reemplazado o reparado sin costo de una dos maneras:

La primera, que únicamente dará lugar a intercambios, consiste en devolver el producto al comerciante minorista donde fue comprado (siempre y cuando la tienda sea un comerciante minorista participante). Las devoluciones deben realizarse dentro del período establecido en la política para intercambios del comerciante minorista. Es posible que se requiera el comprobante de compra. Consulte al comerciante minorista sobre su política específica de devoluciones con respecto a los límites de tiempo para devoluciones o intercambios.

La segunda opción es llevar o enviar (pagado por adelantado) el producto a un centro de mantenimiento de propiedad o con autorización de Black & Decker para su reparación o reemplazo a discreción de Black & Decker. Es posible que se requiera un comprobante de compra. Los centros de mantenimiento de propiedad o con autorización de Black & Decker se indican bajo "Herramientas-Eléctricas" en las páginas amarillas del directorio telefónico o en línea en **www.blackanddecker.com**.

Esta garantía no se aplica a los accesorios. Esta garantía le otorga derechos legales específicos y es posible que tenga otros derechos que varían de un estado a otro. En caso de que tenga alguna pregunta, comuníquese con el gerente del centro de mantenimiento de Black & Decker más cercano a usted. Este producto no está diseñado para uso comercial y, en consecuencia, dicho uso comercial de este producto anulará la garantía. Por medio del presente documento, se declina la responsabilidad de todas las demás garantías, explícitas o implícitas.

AMÉRICA LATINA: Esta garantía no se aplica a productos vendidos en América Latina. Para los productos que se venden en América Latina, consulte la información de garantía específica del país contenida en el empaque, llame a la compañía local o visite el sitio web para obtener dicha información.

**· GARANTÍA BLACK & DECKER · BLACK & DECKER WARRANTY
· SOLAMENTE PARA PROPOSITOS DE MEXICO**

Distributor Name · *Sello firma del distribuidor*

Date of purchase · *Fecha de compra*

Invoice No. · No. de factura

PRODUCT INFORMATION · IDENTIFICACIÓN DEL PRODUCTO

Cat. No. · *Catalogo ó Modelo*

Serial Number · No. de serie

Name · *Nombre*

Last Name · Apellido

Address · *Dirección*

City · *Ciudad*

State · Estado

Postal Code · *Código Postal*

Country · País

Telephone · *No. Teléfono*

2 AÑOS DE GARANTIA

Este producto cuenta con dos años de garantía a partir de la fecha de compra contra cualquier defecto de su funcionamiento, así como cualquier falla debido a materiales empleados para su fabricación ó mano de obra defectuosa.

Nuestra garantía incluye la reparación o reposición del producto y/o componentes sin cargo alguno para el cliente incluyendo la mano de obra, esta incluye los gastos de trasportación erogados para lograr cumplimiento de esta garantía en los domicilios diversos señalados.

Para hacer efectiva esta garantía deberá presentar su herramienta y esta póliza sellada por el establecimiento comercial donde se adquirió el producto.

Nos comprometemos a entregar el producto en un lapso no mayor a 30 días hábiles contados a partir de la fecha de recepción del mismo en nuestros talleres de servicio autorizados.

ESTA GARANTIA NO APLICA CUANDO:

El producto se hubiese utilizado en condiciones distintas a las normales.

El producto no hubiese sido operado de acuerdo con el instructivo de uso que se acompaña. El producto hubiese sido alterado o reparado por personas no autorizadas por nosotros.

Importador: Black & Decker S.A. de .C.V

Bosque de Cidros Acceso Radiatas No.42

3ra.Seccion de Bosques de las lomas

C.P.05120, Mexico, D.F. Tel: (01 55) 5326 7100

SOLAMENTE PARA PROPOSITOS DE MEXICO

**Grupo Realsa en herramientas,
S.A. de C.V.**
Súper Manzana 69 MZ.01 Lote 30
(Av. Torcasita)
Col. Puerto Juárez
Cancún, Quintana Roo
Tel. 01 998 884 72 27

Ferre Pat de Puebla, S.A. de C.V.
16 de Septiembre No. 6149
Col. El Cerrito
Puebla, Puebla
Tel. 01 222 264 12 12

Ferre Pat de Puebla, S.A. de C.V.
Ejército Mexicano No. 15
Col. Ejido 1ro. de Mayo
Boca del Río, Veracruz
Tel. 01 229 167 89 89

**Servicio de Fabrica Black & Decker,
S.A. de C.V.**
Lázaro Cardenas No. 18
Col. Obrera
Distrito Federal
Tel. 55 88 95 02

**Representaciones Industriales Robles,
S.A. de C.V.**
Tezozomoc No. 89
Col. La Preciosa
Distrito Federal
Tel. 55 61 86 82

**Gpo. Comercial de Htas. y Refacciones
de Occidente, S.A. de C.V.**
Av. La Paz No. 1779
Col. Americana, S. Juaréz
Guadalajara, Jalisco
Tel. 01 33 38 25 69 78

Herramientas y Equipos Profesionales
Av. Colón 2915 Ote.
Col. Francisco I. Madero
Monterrey, Nvo. León
Tel. 01 81 83 54 60 06

**Htas. Portátiles de Chihuahua,
S.A. de C.V.**
Av. Universidad No. 2903
Col. Fracc. Universidad
Chihuahua, Chihuahua
Tel. 01 614 413 64 04

Fernando González Armenta
Bolivia No. 605
Col. Felipe Carrillo Puerto
Cd. Madero, Tampico
Tel. 01 833 221 34 50

Perfiles y Herramientas de Morelia
Gertrudis Bocanegra No. 898
Col. Ventura Puente
Morelia, Michoacán
Tel. 01 443 313 85 50

Enrique Robles
Av. de la Solidaridad No. 12713
Col. La Pradera
Irapuato, Guanajuato
Tel. 01 462 626 67 39

Hernández Martínez Jeanette
Prolongación Corregidora Nte. No. 1104
Col. Arboledas
Querétaro, Qro.
Tel. 01 442 245 25 80

PARA OTRAS LOCALIDADES LLAME AL 01 800 847 2309 o 01 800 847 2312.

**Vea "Herramientas
eléctricas (Tools-Electric)"
– Páginas amarillas –
para Servicio y ventas**



BLACK & DECKER S.A. DE C.V.
BOSQUES DE CIDROS ACCESO RADIATAS NO. 42
COL. BOSQUES DE LAS LOMAS.
05120 MÉXICO, D.F.
TEL. (01 55) 5326 7100
01 800 847 2309/01 800 847 2312

Cat. Nos. BDH1720SM

Form No. 90595525

January 2013

Copyright© 2013 Black & Decker

Printed in China